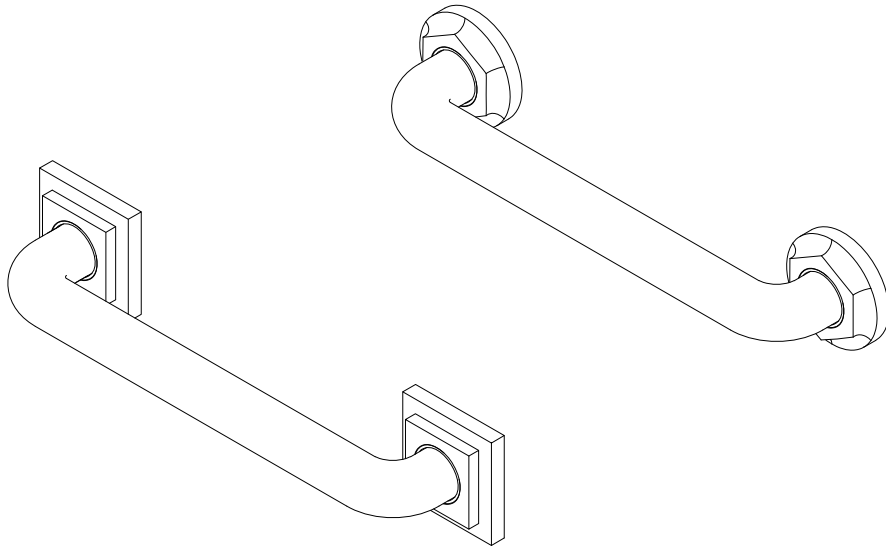


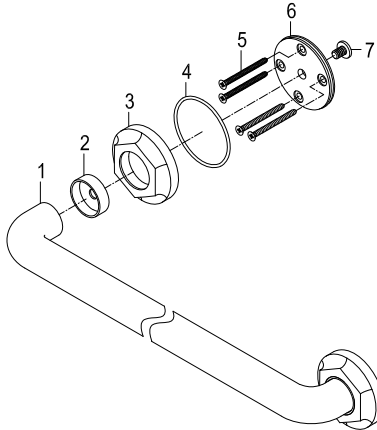
# KINGSTON

KITCHEN & BATH

## Decorative Grade Grab Bar Installation



### Parts:



### Parts Information:

- 1) Bar: 1 Pc
- 2) Cap: 2 Pcs
- 3) Decorative Flange: 2 Pcs
- 4) Mounting Plate O-Ring: 2 Pcs
- 5) Mounting Screw: 8 Pcs
- 6) Mounting Plate: 2 Pcs
- 7) Set Screw: 2 Pcs

www.kingstonbrass.com  
TOLL-FREE CUSTOMER SERVICE: 1-877-2-KBRASS  
TECHNICAL SUPPORT E-mail: [service@kingstonbrass.com](mailto:service@kingstonbrass.com)  
12775 Reservoir Street, Chino, CA 91710

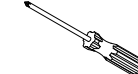
### TOOLS REQUIRED



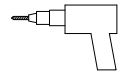
Marking Pencil



Allen Wrench



Phillips Screwdriver



Power Drill

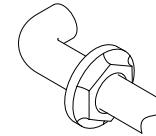


Fig. 1

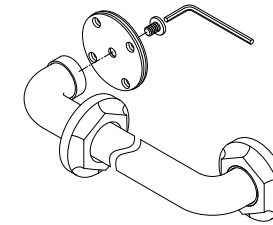


Fig. 2

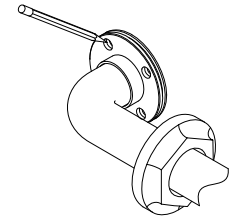


Fig. 3

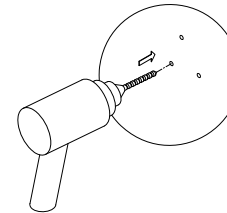


Fig. 4

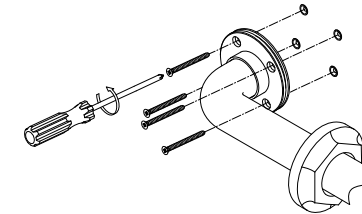


Fig. 5

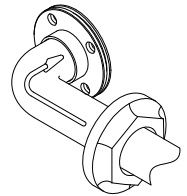


Fig. 6

### Installation Steps:

1. Insert decorative flange. Make sure that underside is facing towards the end of the grab bar, insert cap onto end of grab bar.
2. Attach mounting plate and secure by threading Allen bolt (included).
3. Locate position on the wall and mark location of the holes.
4. Drill Starter holes (5/64" ).
5. Mount grab bar to the wall using 2" screws (Enclosed).

This grab bar is designed to be installed on wood bracing, if a proper wood bracing is not available consult your contractor as to the best anchors to use for your specific application some options available are Tile/ masonry anchors, toggle bolts, plastic anchors, metal anchors and drywall anchors.

### Cleaning

Clean with a damp cloth only.  
Avoid using metal or abrasive polishes.

## 1 1/4" O.D. Heavy Duty Solid Brass Tubing with Concealed Mounting

### Materials

#### Tubing

1 1/4" O.D. Seamless solid brass, 17 gauge tubing, bent at both ends to preserve its structural integrity, tubing ends provide 1 1/2" of clearance between the wall and the grab bar.

#### Flanges

2 5/8" O.D. 2 gauge solid steel flanges are attached to the bar to provide a strong and secure method of attachment.

#### Escutcheons

16 gauge brass, one piece drawn construction, escutcheon will fit tightly over the mounting flange to conceal the mount hardware.

#### Structural Strength

All Kingston Brass grab bars have been tested by a 3<sup>rd</sup> party lab and are rated to support up to 250 lbs. When properly installed.

It is recommended that the wall be reinforced in the area where the grab bar will be installed.

#### Specification

Grab bar shall be Meridian Series 51 from Kingston Brass.

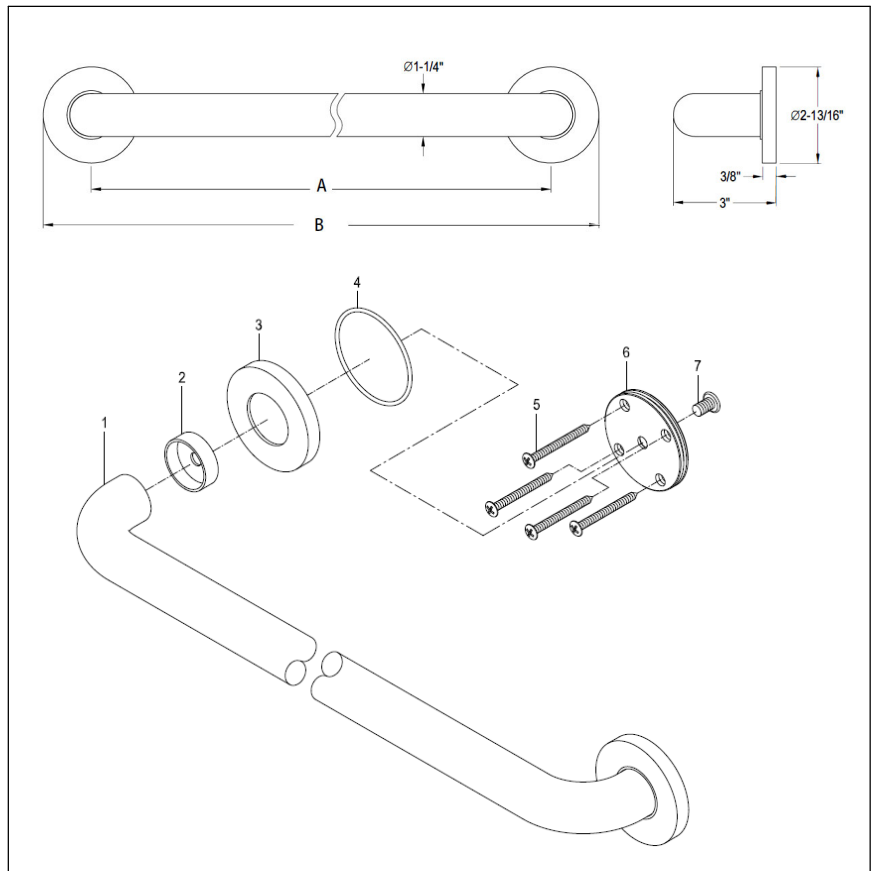


#### ADA Compliant

Meets or exceeds the requirements of ANSI Standard 117.1  
ADA Guidelines 609.1-609.3

#### Kingston Brass

12775 Reservoir St  
Chino, California 91710  
877.252.7277  
www.Kingstonbrass.com



ITEM	A	B
DR51412*	12"	14-13/16"
DR51416*	16"	18-13/16"
DR51418*	18"	20-13/16"
DR51424*	24"	26-13/16"
DR51430*	30"	32-13/16"
DR51432*	32"	34-13/16"
DR51436*	36"	38-13/16"
DR51442*	42"	44-13/16"
DR51448*	48"	50-13/16"
DR51454*	54"	56-13/16"

*	Finish
0	Matte Black
1	Chrome
2	Polished Brass
4	Black Stainless
5	Oil Rubbed Bronze
6	Polished Nickel
7	Brushed Brass
8	Brushed Nickel
Not all sizes are available in every finish	